

The Process & Instrumentation Diagrams and the Electrical Schematics on the following pages pertain to Models 550, 660, 670, and 1100 only.

Process & Instrumentation Diagrams and Electrical Schematics for additional Models are available in separate documents as listed in the table below.

Table 10-1: Additional P & IDs and Electrical Schematics

Model	Document #
PFC 551	825113-00
PFC 552	825114-00
PFC 661	825115-00
PFC 662	825116-00
PFC 672	825117-00
PFC 1101	825118-00
PFC 1102	825119-00

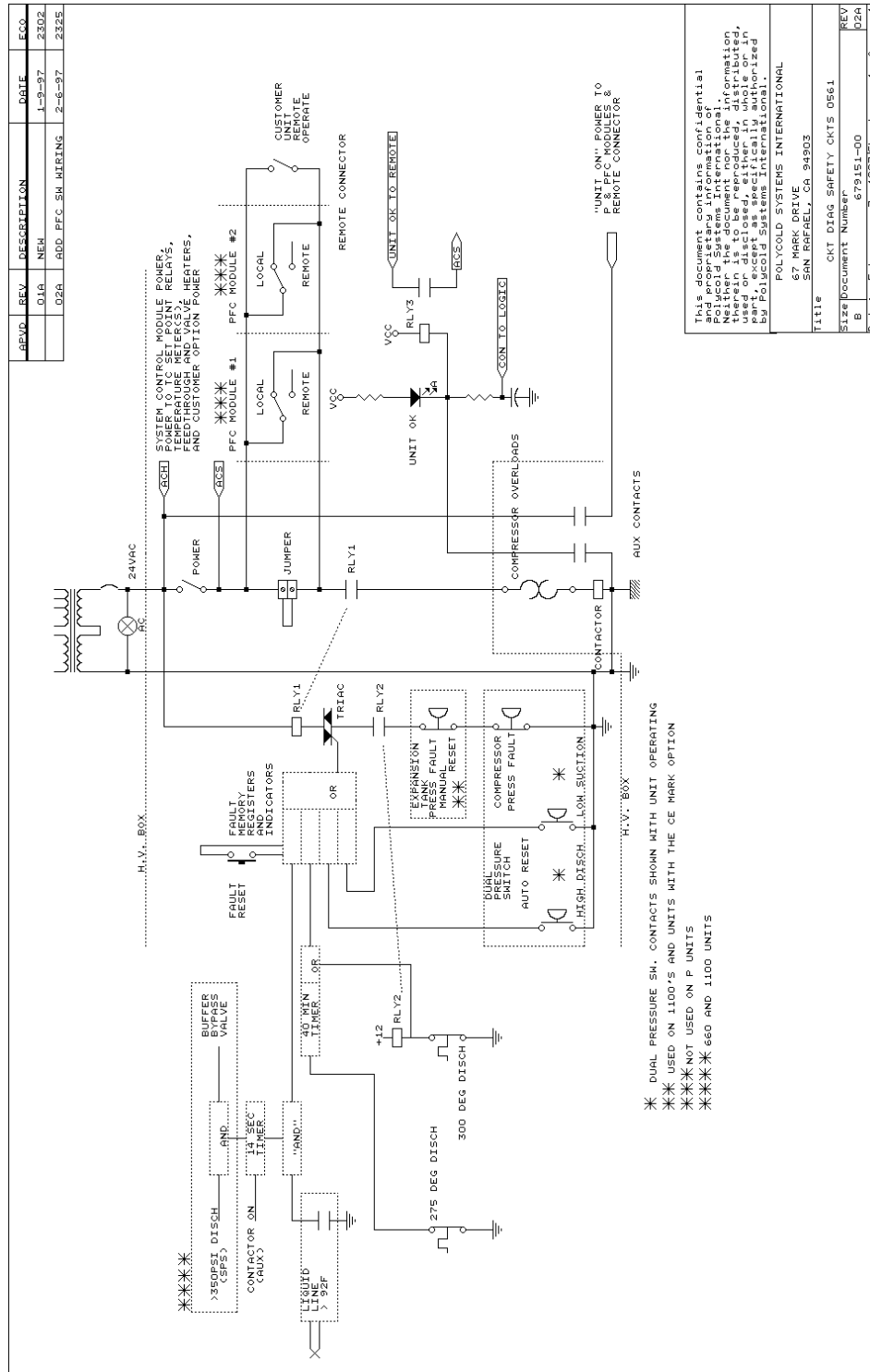


Figure 10-1: Cryopump Simplified Controls Diagram (6-2)

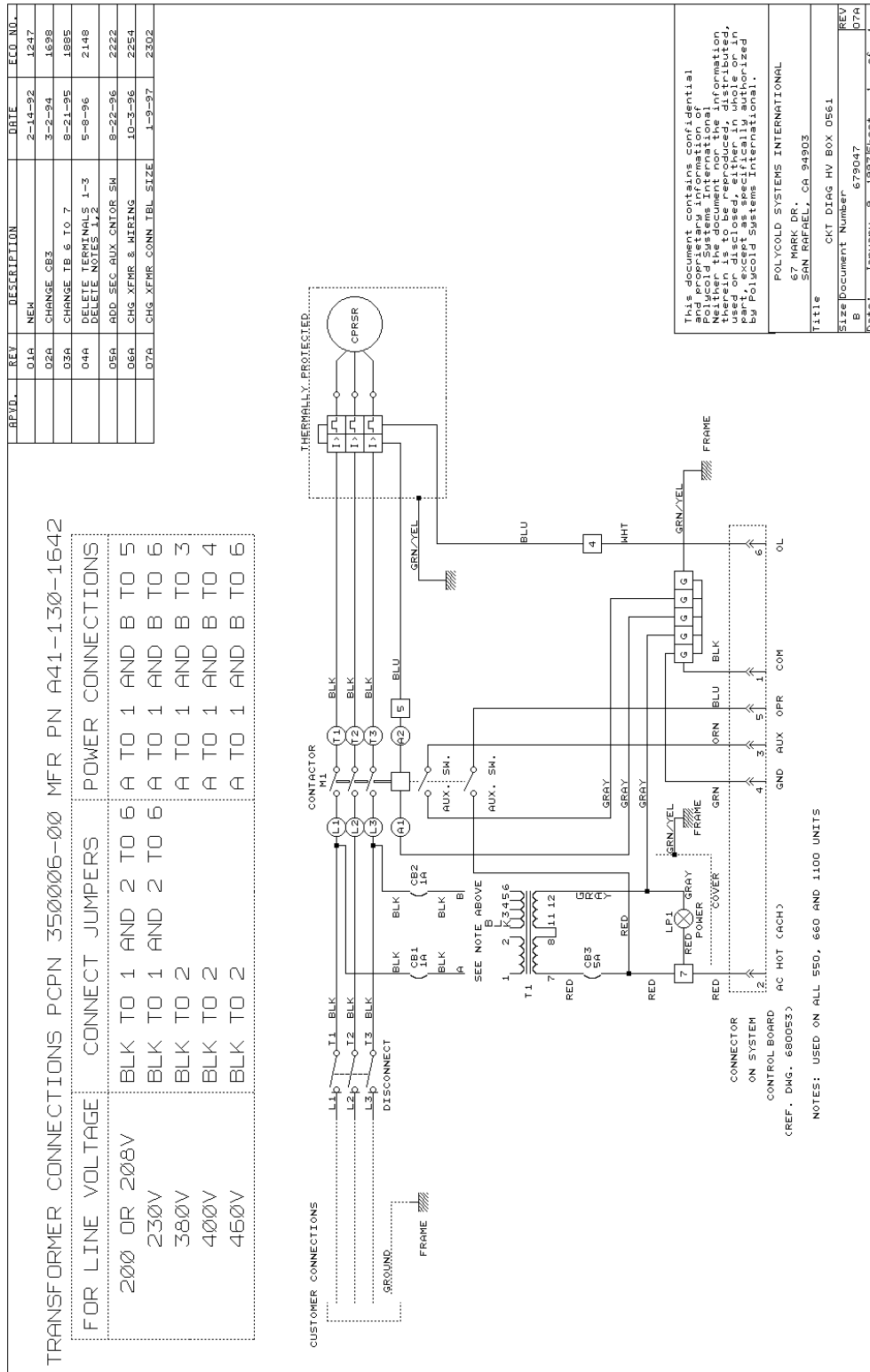


Figure 10-2: High Voltage Box (6-3)

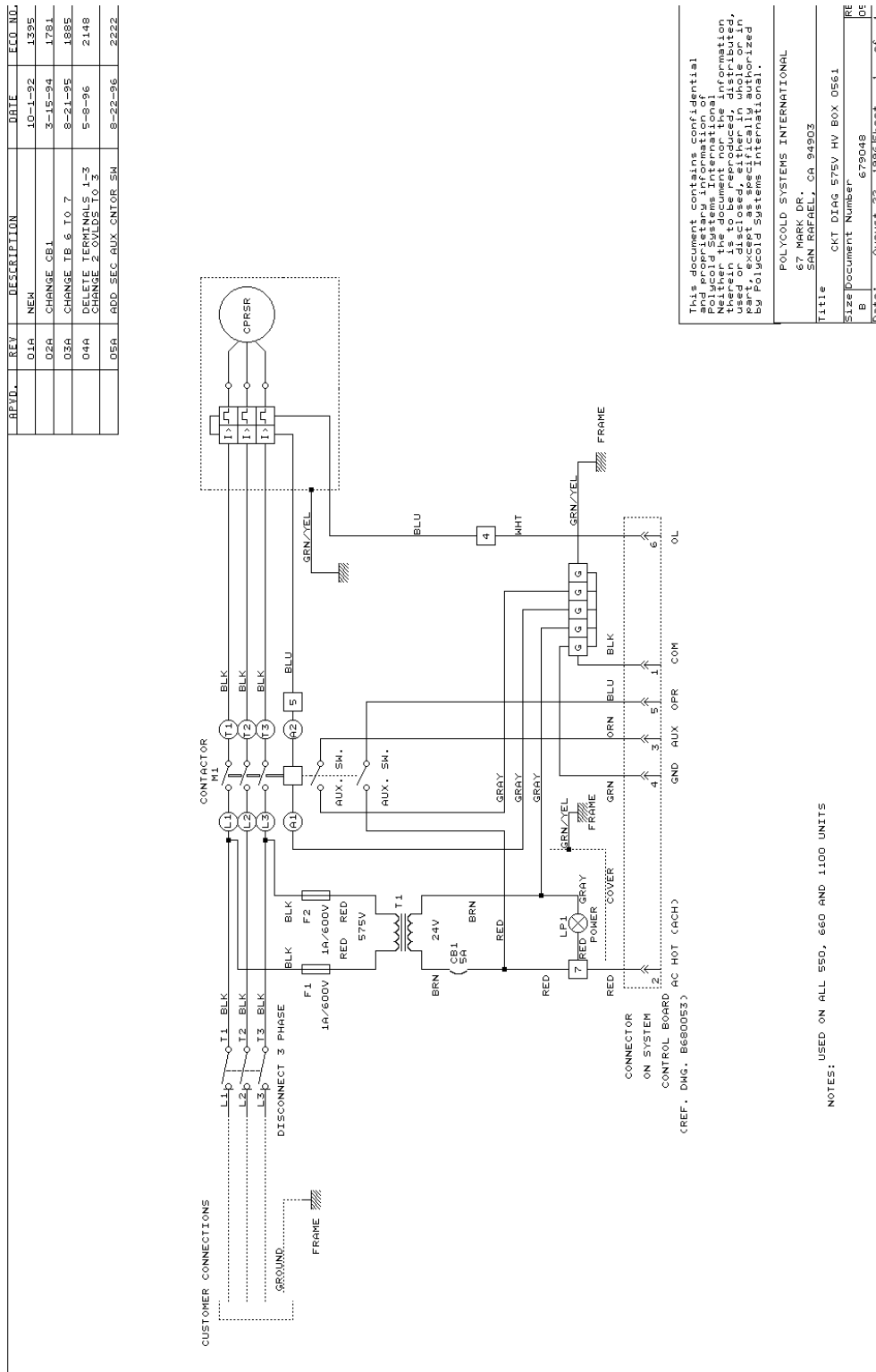


Figure 10-3: High Voltage Box—575 V Compressor Only (6-4)

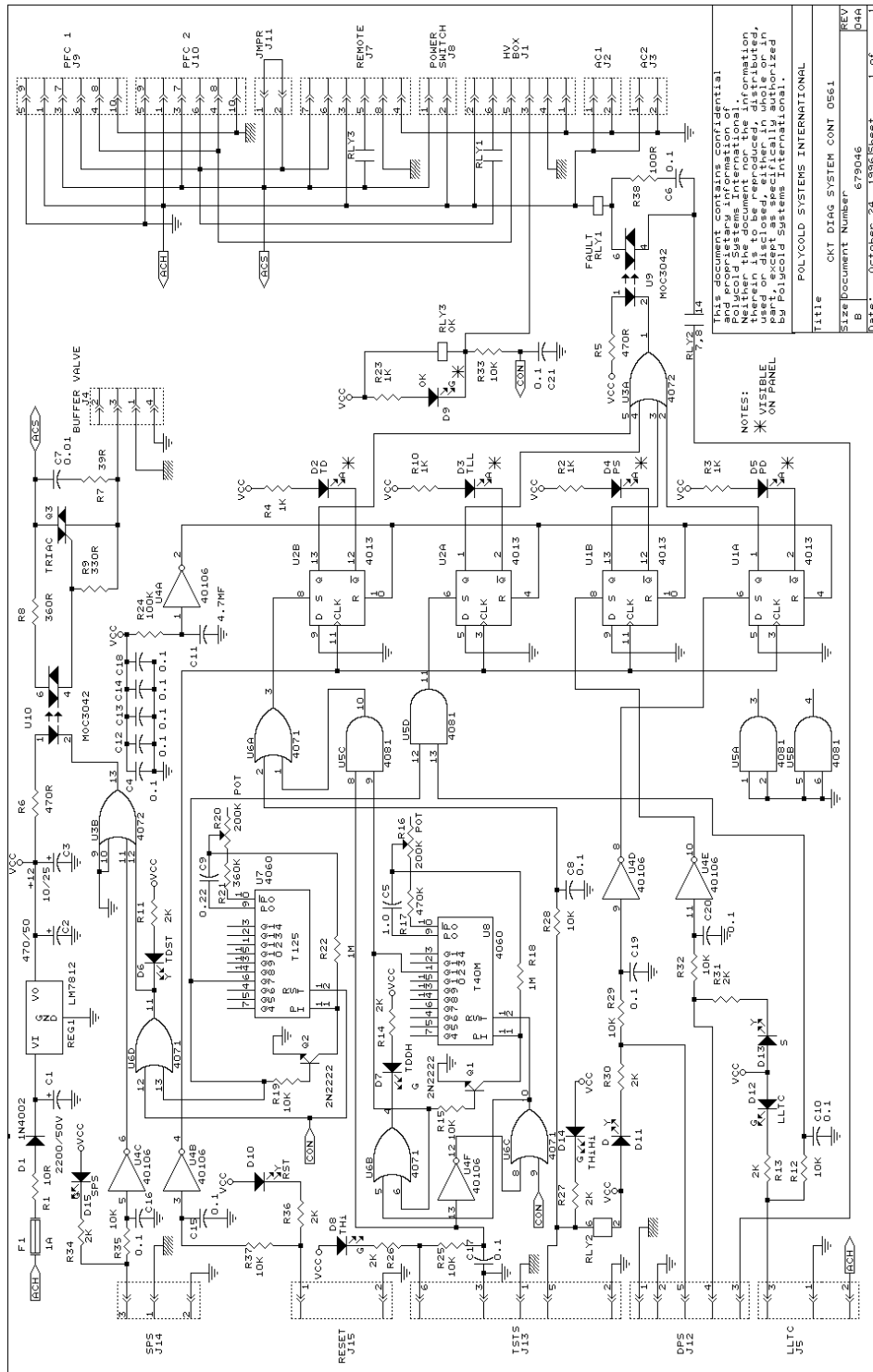
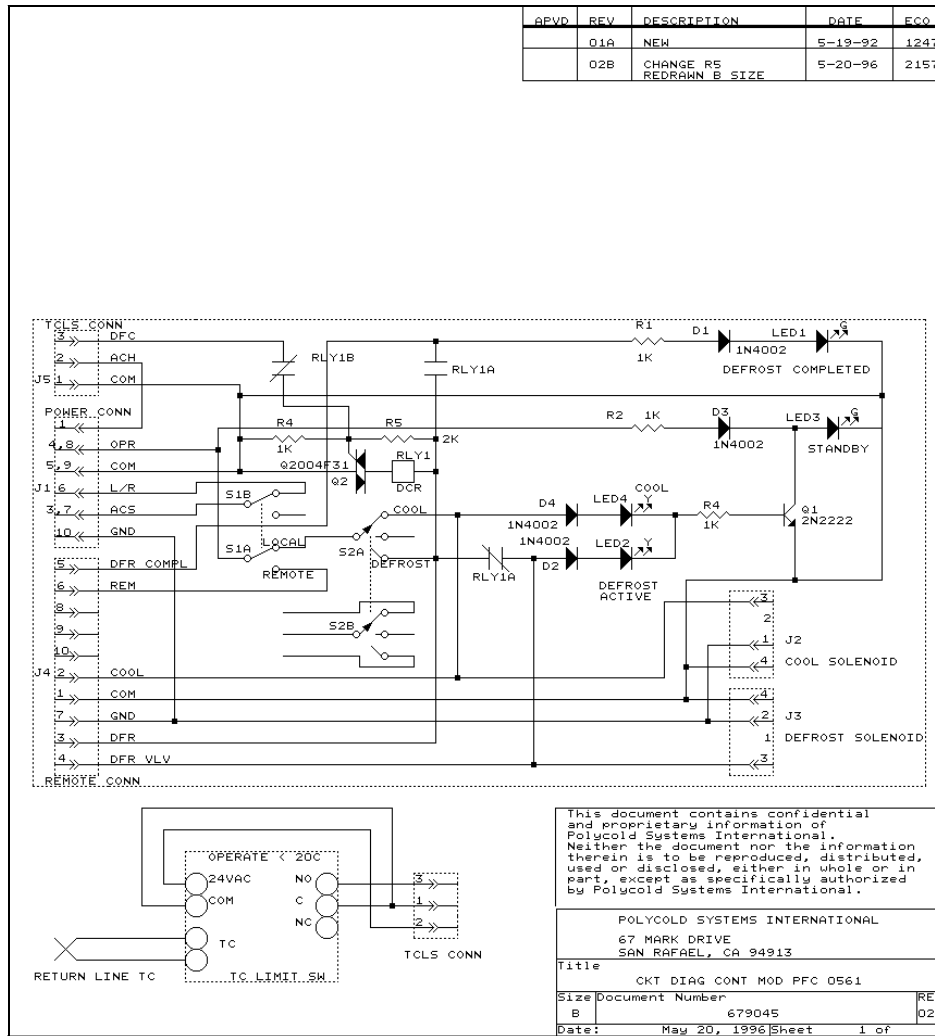
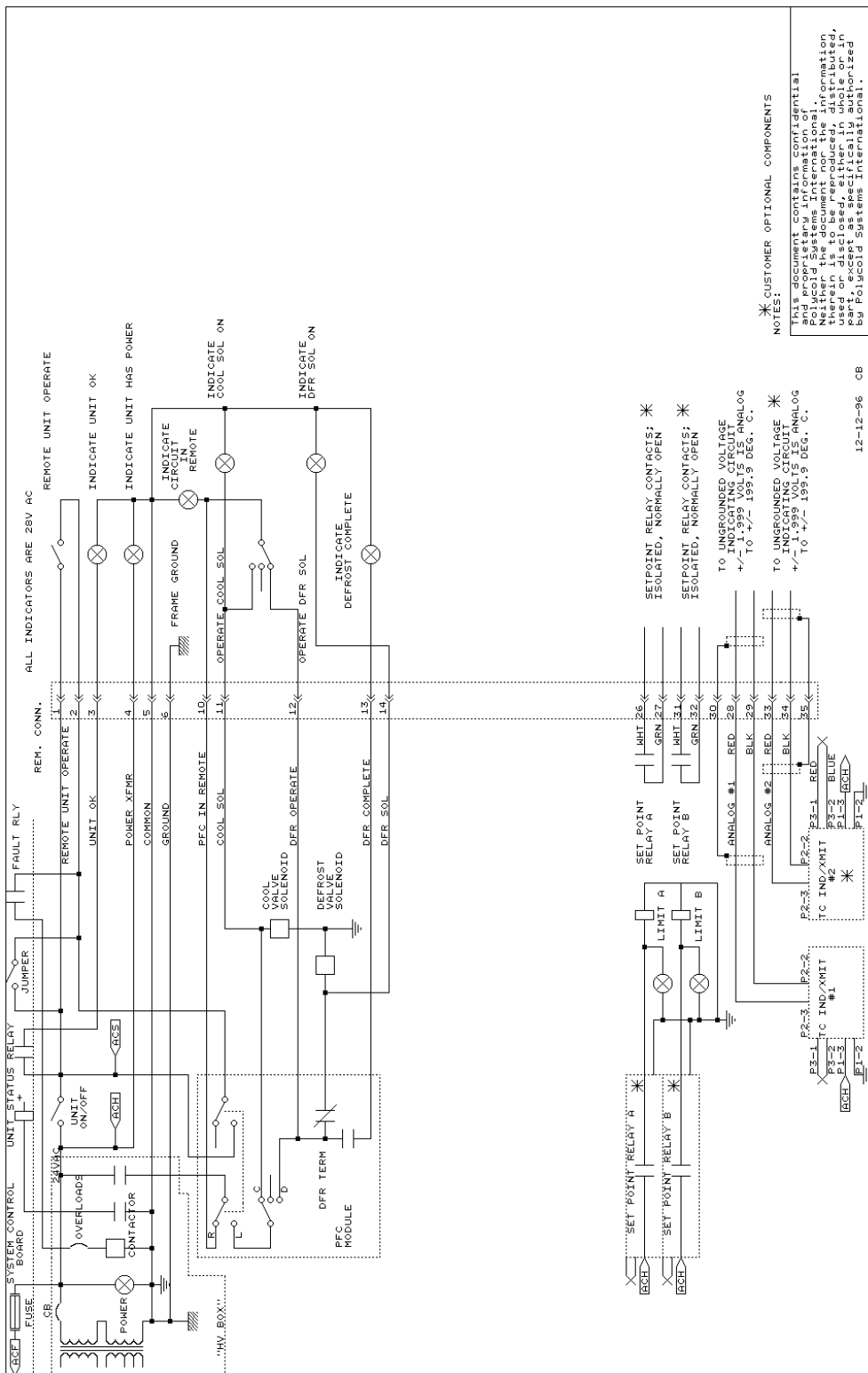


Figure 10-4: SYSTEM CONTROL Printed Circuit Board (6-5)



**Figure 10-5: PFC Refrigerant Circuit Controls
- Printed Circuit Board with Panel (6-7)**



NOTES:
 * CUSTOMER OPTIONAL COMPONENTS
 This document contains confidential information of Polycold Systems International. Neither the document nor the information contained herein shall be used, copied, or disclosed, in whole or in part, except as specifically authorized by Polycold Systems International.

12-12-96 CB

Figure 10-6: PFC Remote Connector Functions with Suggested Wiring (6-8)

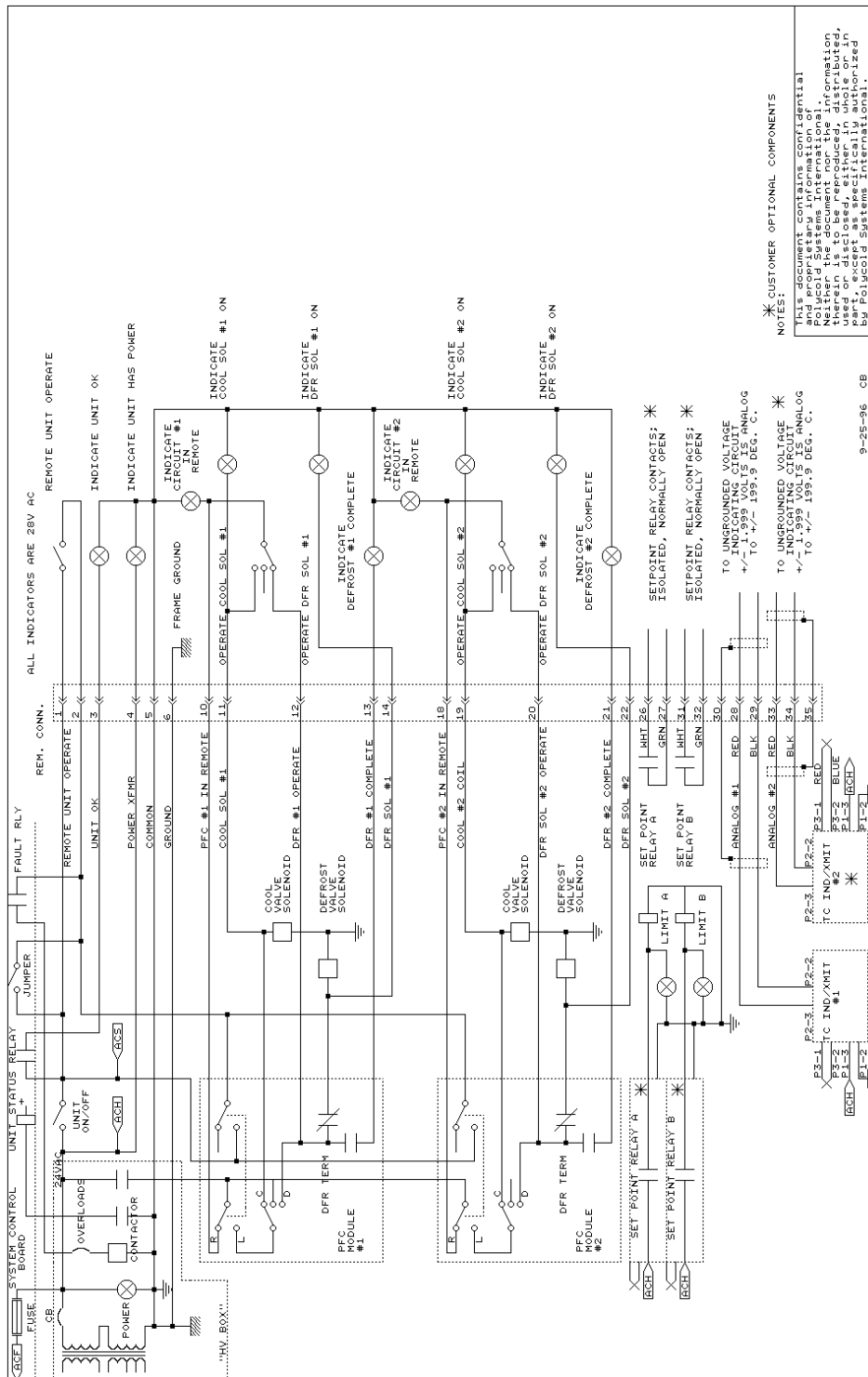


Figure 10-7: PFC/PFC Remote Connector Functions with Suggested Wiring (6-9)

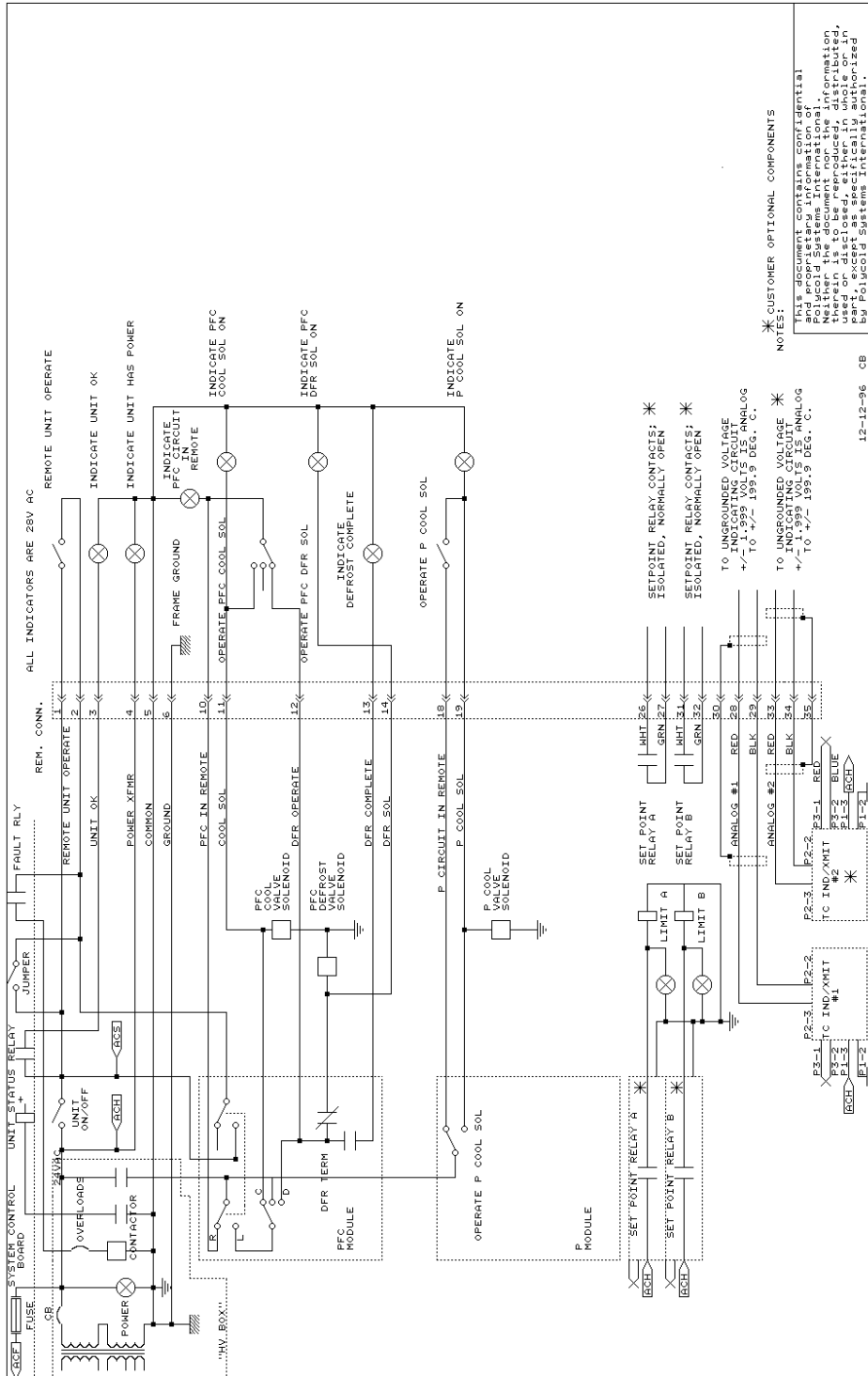


Figure 10-8: PFC/P Remote Connector Functions with Suggested Wiring (6-10)