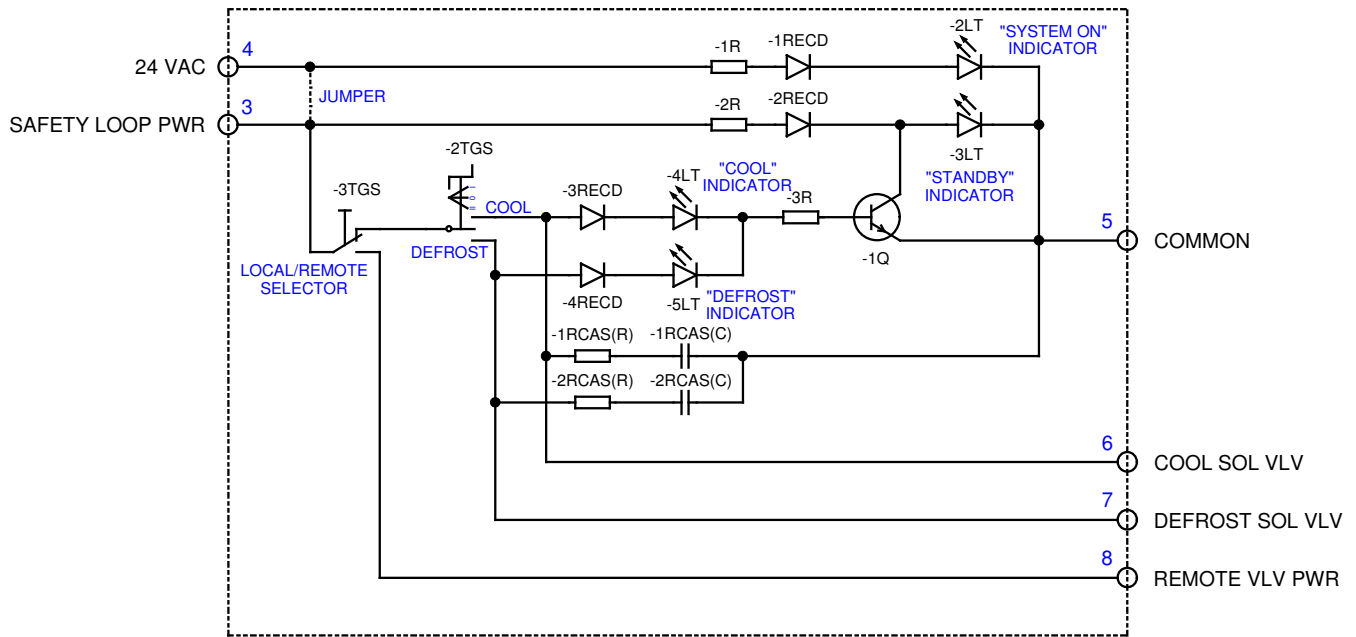


PFC CONTROL MODULE PCB



PARTS TABLE

COMPONENT DESIGNATOR	COMPONENT VALUE	COMPONENT DESCRIPTION
PFC CONTROL MODULE PCB	Marin Tek, Inc.	FR4 MATERIAL
-1Q	2N2222	NPN TRANSISTOR
-1R, -2R, -3R	1K 1/2W	RESISTOR
-1RECD, -2RECD, -3RECD, -4RECD	IN4004	1 AMP 400V DIODE
-2LT, -3LT	GREEN LED	T1 3/4 LED
-4LT, -5LT	YELLOW LED	T1 3/4 LED
-1RCAS(R), -2RCAS(R)	10 OHM 1/2W	RESISTOR
-1RCAS(C), -2RCAS(C)	0.33UF	CAPACITOR
-2TGS	SPDT (CENTER OFF)	ROCKER SWITCH
-3TGS	SPDT	ROCKER SWITCH

Notes:

1. Printed Circuit Board is single sided, with tinned copper traces, and no solder mask.
2. All off-board connections are terminated in solder eyelets at the PCB board edges.
3. Last part of assembly process; is to solder PCB to panel mounted rocker switches.

COPYRIGHT © M&T SYSTEMS
2008. ALL RIGHTS RESERVED.

THIS DOCUMENT MAY BE COPIED
AND FURNISHED TO OTHERS
WITHOUT RESTRICTION OF ANY
KIND, PROVIDED THAT THE
ABOVE COPYRIGHT NOTICE, AND
THIS PARAGRAPH, ARE INCLUDED
ON ALL SUCH COPIES AND
DERIVATIVE WORKS.



1845 Piner Road Santa Rosa, CA 95403 (707) 569-7380

500/650/1000 PFC MODULE CKT

DRAWN/DATE
MSP 02/01/08

SIZE
A

DWG NO.
ELEC-1002-01

REV
01A

FILE: ELEC-1002-01.doc

SHEET: 1 OF 1